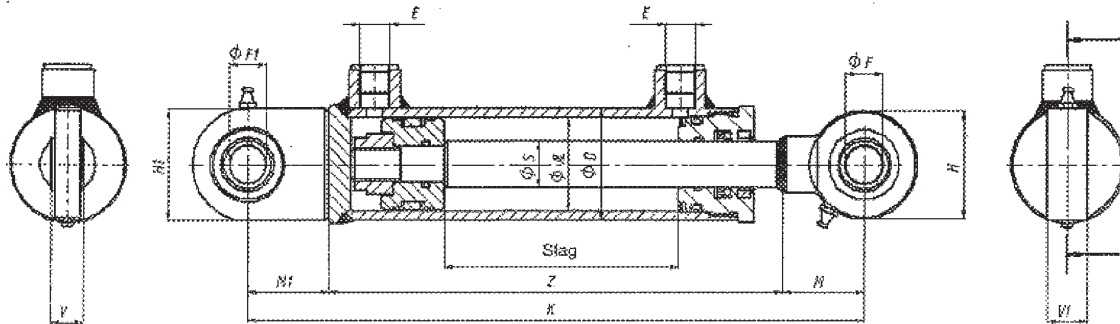


Sylinder MO21I

Cylinder MO21I

max working pressure: 210 Bar



Ø D	Ø AL	Ø S	Slag	Best. Nr	K	Z	Kg.	NOK	E	Ø F	Ø F1	H	H1	V	V1	M	M1
35	25	16	25	MI2516-25	164	110	0.72	1440	1/4"	12	12	34	34	10	10	27	27
35	25	16	50	MI2516-50	189	135	0.84	1460	1/4"	12	12	34	34	10	10	27	27
35	25	16	100	MI2516-100	239	185	1.09	1490	1/4"	12	12	34	34	10	10	27	27
35	25	16	200	MI2516-200	339	285	1.64	1610	1/4"	12	12	34	34	10	10	27	27
35	25	16	250	MI2516-250	389	335	2.1	1670	1/4"	12	12	34	34	10	10	27	27
35	25	16	350	MI2516-350	489	435	2.65	1825	1/4"	12	12	34	34	10	10	27	27
35	25	16	500	MI2516-500	639	585	3.66	1925	1/4"	12	12	34	34	10	10	27	27
42	32	20	50	MI3220-50	225	155	1.8	1440	1/4"	16	16	46	48	14	17.5	35	35
42	32	20	100	MI3220-100	275	205	2.1	1480	1/4"	16	16	46	48	14	17.5	35	35
42	32	20	150	MI3220-150	325	255	2.5	1620	1/4"	16	16	46	48	14	17.5	35	35
42	32	20	250	MI3220-250	425	355	3.2	1680	1/4"	16	16	46	48	14	17.5	35	35
50	40	25	50	MI4025-50	250	180	2.5	1825	1/4"	16	16	46	48	14	17.5	35	35
50	40	25	100	MI4025-100	300	230	2.8	1845	1/4"	16	16	46	48	14	17.5	35	35
50	40	25	150	MI4025-150	350	280	3.4	0	1/4"	16	16	46	48	14	17.5	35	35
50	40	25	200	MI4025-200	400	330	3.84	1860	1/4"	16	16	46	48	14	17.5	35	35
50	40	25	300	MI4025-300	500	430	4.77	1980	1/4"	16	16	46	48	14	17.5	35	35
50	40	25	350	MI4025-350	550	480	5.24	2045	1/4"	16	16	46	48	14	17.5	35	35
60	50	30	100	MI5030-100	316	240	4.12	2060	3/8"	20	20	53	50	16	19	38	38
60	50	30	200	MI5030-200	416	340	5.34	2100	3/8"	20	20	53	50	16	19	38	38
60	50	30	300	MI5030-300	516	440	6.57	2250	3/8"	20	20	53	50	16	19	38	38
60	50	30	500	MI5030-500	716	640	9.02	2550	3/8"	20	20	53	50	16	19	38	38
60	50	30	1000	MI5030-1000	1216	1140	15.2	3455	3/8"	20	20	53	50	16	19	38	38
60	50	30	1200	MI5030-1200	1416	1340	17.6	3900	3/8"	20	20	53	50	16	19	38	38
60	50	30	1500	MI5030-1500	1816	1740	21.3	4350	3/8"	20	20	53	50	16	19	38	38
73	63	40	200	MI6340-200	450	360	8.58	2890	3/8"	25	25	64	55	20	23	45	45
73	63	40	250	MI6340-250	500	410	9.48	2970	3/8"	25	25	64	55	20	23	45	45
73	63	40	350	MI6340-350	600	510	11.28	3150	3/8"	25	25	64	55	20	23	45	45
73	63	40	550	MI6340-550	800	710	14.88	3590	3/8"	25	25	64	55	20	23	45	45